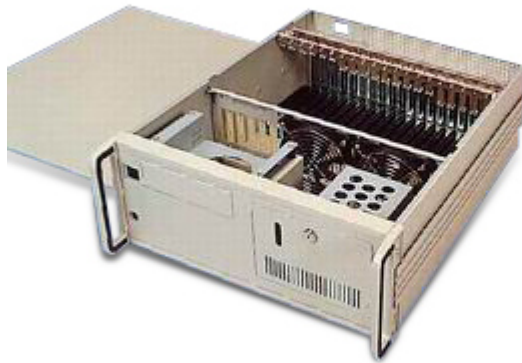


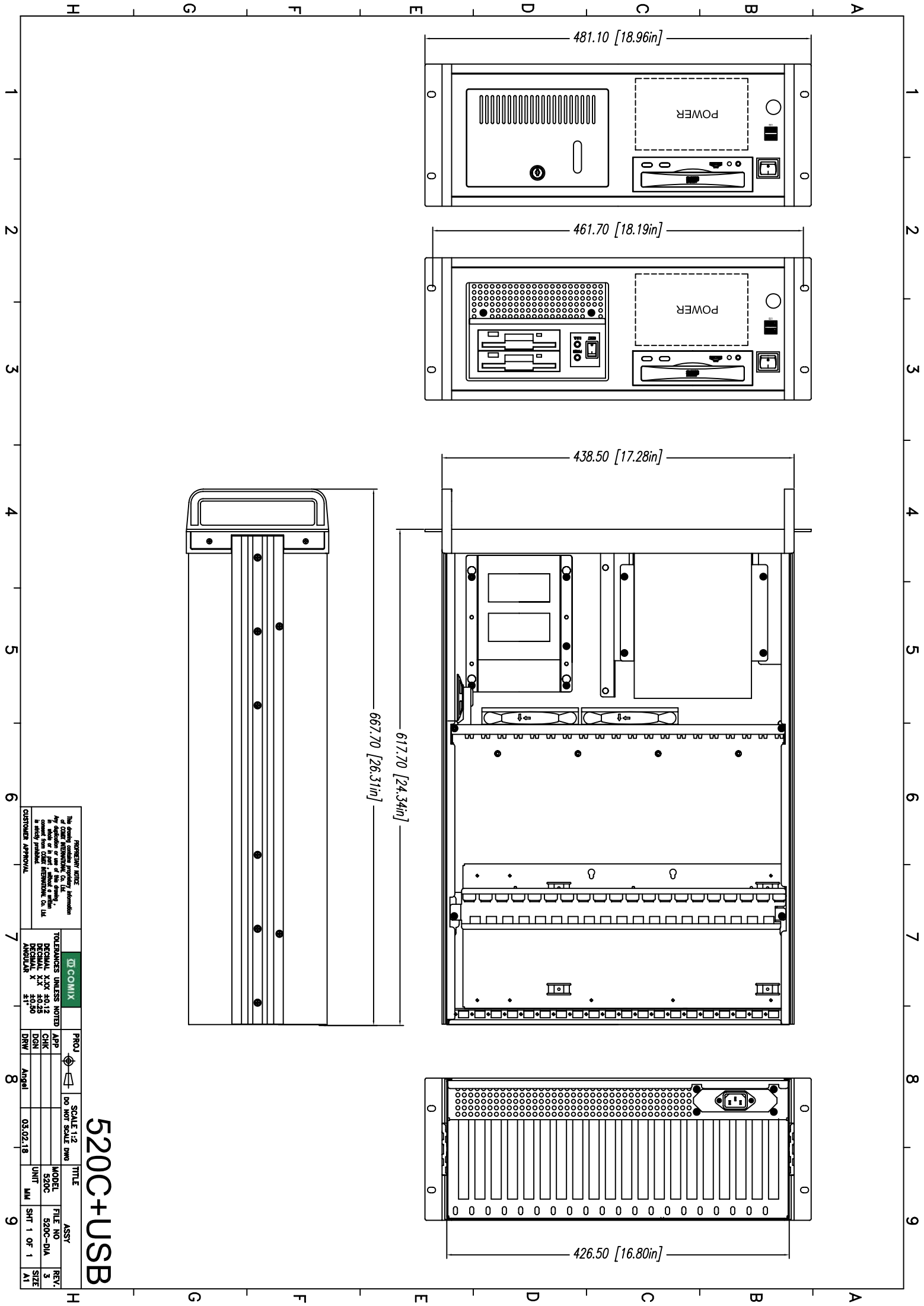
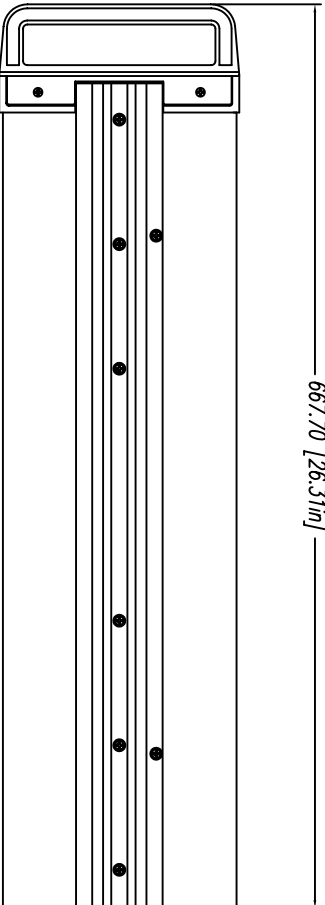
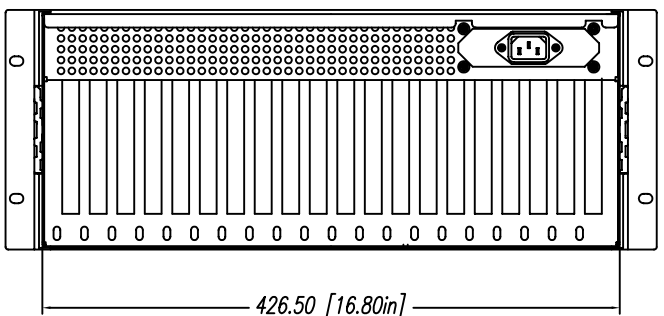
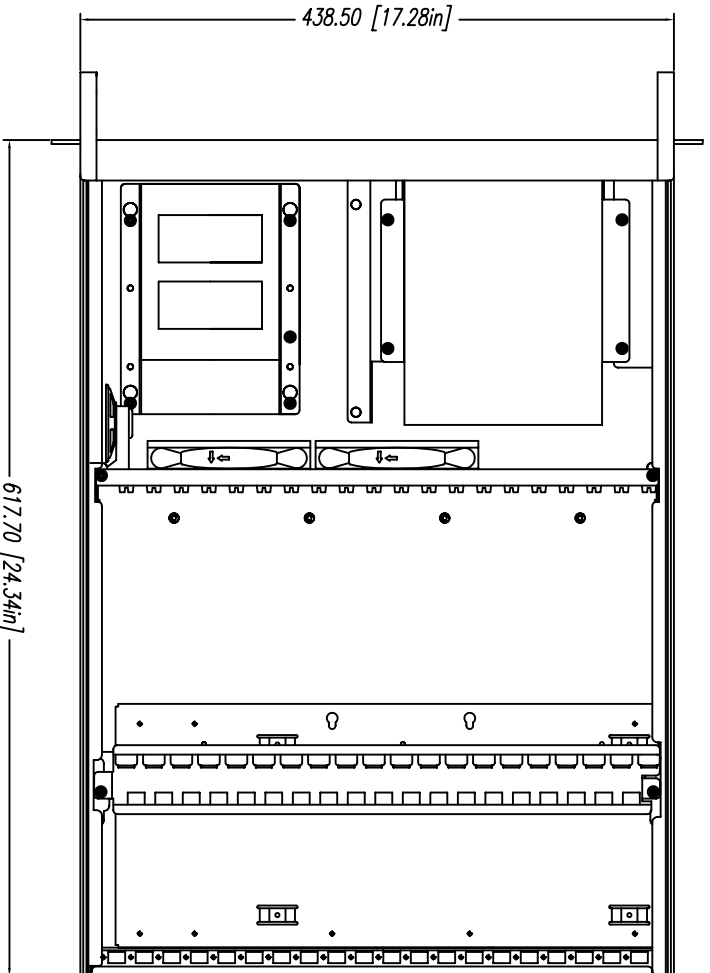
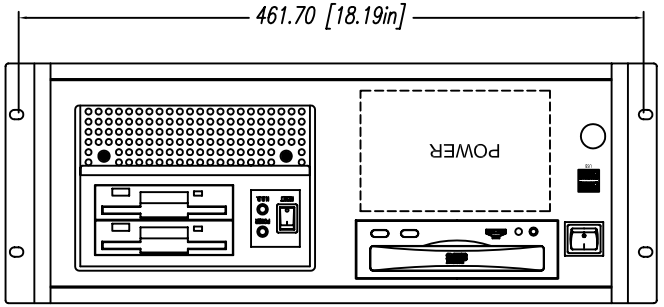
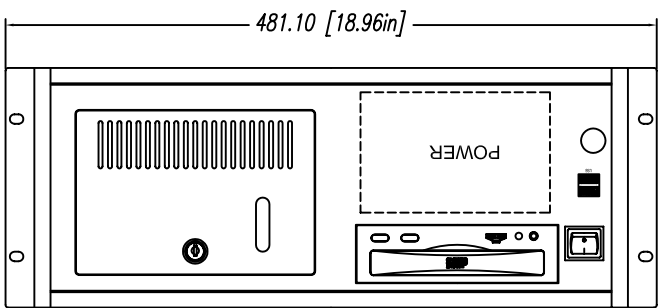
RM-520C+USB

19" Rackmount Chassis 4U



SPECIFICATION:

- **Drive bays : 1 x 5.25" FDD + 2 x 3.5" FDD + 2 x 3.5" HDD**
- **Cooling: 2 x 12x 12 cm intake fan**
- **For main board of single board 14 full size or half size or ATX 12"x13" or 12"x9.6" or Micro ATX 9.6"x9.6" or Mini-ITX 6.6"x6.6"**
- **Speaker: 8ohm 0.4W**
- **Filter washable**
- **Power supply (Options):**
 - **PS/2 power supply 300W/400W/500W~1000W**
 - **Mini redundant power supply 300W/400W/500W**
- **2 USB ports**
- **Dimension: 61.77 (D) x 42.65 (W) x 17.7 (H) CM**



PROPRIETARY AND/OR CONFIDENTIAL INFORMATION
 THE DESIGN CONTAINS PROPRIETARY INFORMATION OF OCEAN INTERNATIONAL, CO. LTD. ANY REPRODUCTION OR USE OF THE DRAWING WITHOUT THE WRITTEN PERMISSION OF OCEAN INTERNATIONAL, CO. LTD. IS STRICTLY PROHIBITED.
 CUSTOMER APPROVAL

COMIX
 TOLERANCES UNLESS NOTED
 DIMENSIONAL FINISH
 DECIMAL 0.125
 ANGULAR 3°

PROJ	SCALE 1:2	TITLE	ASSY
APP	DO NOT SCALE DIMS	MODEL	FILE NO
CHK		SZDC	SZDC-DIA
DGN		UNIT	SMT 1 OF 1
DRW	03.02.18	MM	REV. 3
			SIZE A1

520C+USB