

Model Name:	HDA226A3P	Rev. No.	1.1
		Issue Date	2016/3/3

2.5” SATAIII to USB3.0 External Enclosure

HDA226A3P



Model Name:	HDA226A3P	Rev. No.	1.1
		Issue Date	2016/3/3

1. Overview

HDA226A3P is made out of sophisticated octagon design, casting slim lining imaging in its aluminum body. Embedded with SATAIII & UASP support, HDA226A3P is optimized for SSD, conveying speedy R/W performance. Though made to host 2.5" 9.5mm HDD, 5mm & 7mm HDDs can also be timelessly assembled. HDA226A3P gives you a premium external storage device.

2. Features

- ✧ Chipset: Asmedia 1053-6G
- ✧ Fitting for 5 & 7 & 9.5mm height 2.5" SATA I/II/III HDD/SDD
- ✧ Complies with SATAI & II & III specification up to 6GBps
- ✧ Complies with USB3.0 specification up to 5GBps
- ✧ Adopt UASP to enhance maximum performance of SSD
- ✧ USB 5V powered, no external DC power required
- ✧ Back located blue LED indicator for power & R/W status
- ✧ Plug and Play, Hot-swapping
- ✧ Compatible with Windows Vista/7/8/8.1/10, Mac OS10.8.2 or above, and Linux Ubuntu 10.4 or above
- ✧ Material: Aluminum body & ABS plastic tray
- ✧ Dimension: 122mm(L)*81mm(W)*14.6mm(H)

3. About UASP(USB attached SCSI protocol)

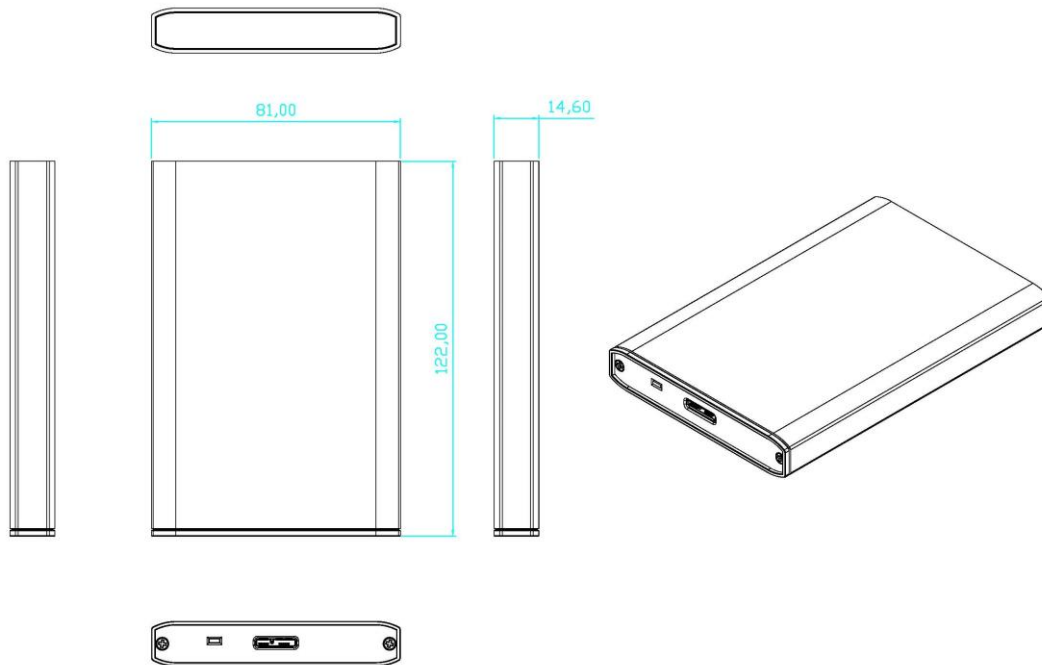
- ✧ Newly defined USB mass storage class protocol to improve performance

The Purpose of UASP(USB attached SCSI protocol)

- ✧ Enables storage products to operate much faster by utilizing the faster bandwidth now available with the new SuperSpeed (USB 3.0) standard
- ✧ Reduces the protocol overhead of Bulk-Only-Transport (BOT)
- ✧ Supports SATA native command queuing (NCQ)
- ✧ Multiple commands are processed in parallel

Model Name:	HDA226A3P	Rev. No.	1.1
		Issue Date	2016/3/3

4. Product Outlook



5. Package Contents:

The enclosed item of HDA226A3P package lists as below:

1. HDA226A3P Unit
2. USB3.0 micro B to A cable
3. User Manual

6. Agency Approvals:

FCC/CE Compliant
RoHS2.0 Compliant
REACH Compliant

7. Packaging:

OEM packaging is available upon requests.