

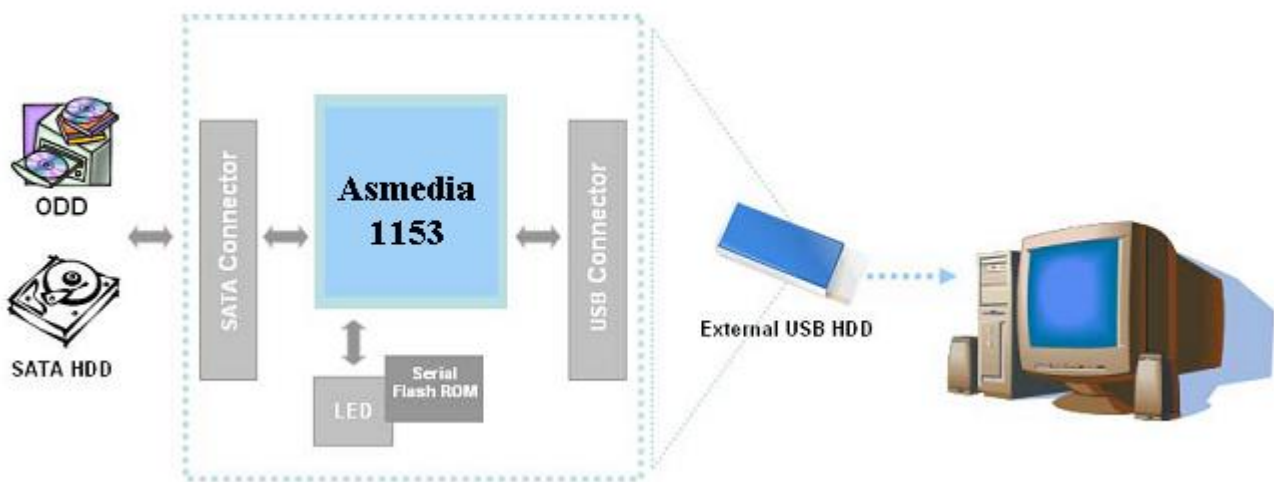
# HDA318A3P

USB 3.0 External Enclosure  
Specification Sheet



## 1. Overview

HDA318A3P is a 3.5” SATAIII to USB3.0 single bay HDD external enclosure. With aluminum hairline cover and an 8cm fan equipped on the side of HDA318A3P, it fully protects the HDD by efficient heat extraction. For speed demanders, HDA318A3P adopts UASP (USB attached SCSI Protocol) technology to enhance USB3.0 speed by 20% in certain operating systems to realize the demand of high speed of data transmission.



## 2. Specification:

- ✧ Main Chipset: ASM1153-6G
- ✧ 3.5” SATA I/II/III specification.
- ✧ Support 3.5” SATA III Hard Drive
- ✧ Support SATA HDD up to 4TB
- ✧ UASP(USB attached SCSI protocol) technology enhanced
- ✧ Operates at Super (5Gbps) or High (480Mbps) or Full (12Mbps) speed.
- ✧ SATA to USB 3.0, backward compatible to USB 2.0 or USB 1.1.
- ✧ Material: Hair-line Aluminum Case and ABS plastic HDD tray.
- ✧ Front panel located LED for Power & R/W activity
- ✧ Dimension (LxWxH) : 180 x 142 x 52.5 mm

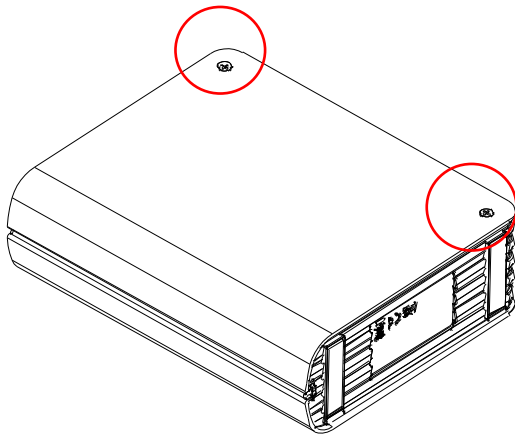
### 3. Package Contents

HDA318A3P is packed with a colored box. The enclosed item of HDA318A3P package lists as below:

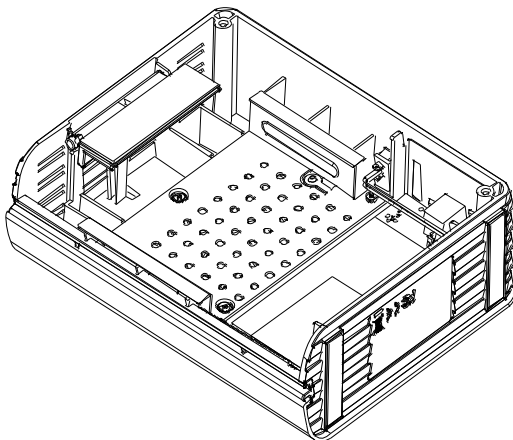
1. HDA318A3P Unit
2. 12V/2A AC to DC Power Adapter
3. USB 3.0 Cable
4. User manual

### 4. HDA318A3P Assembly

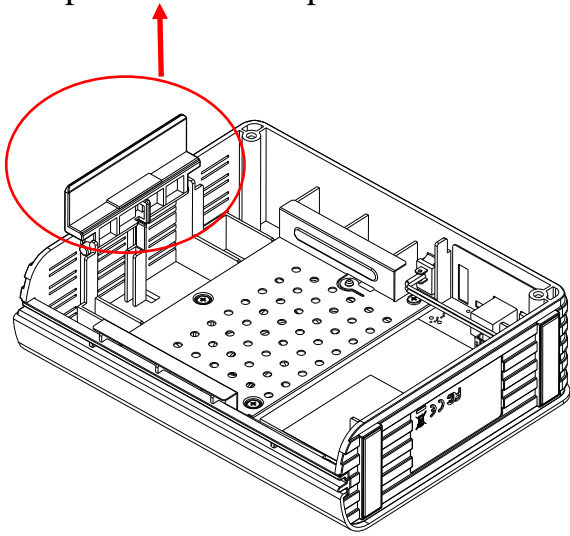
1. Remove 2 screws located on this side of the enclosure



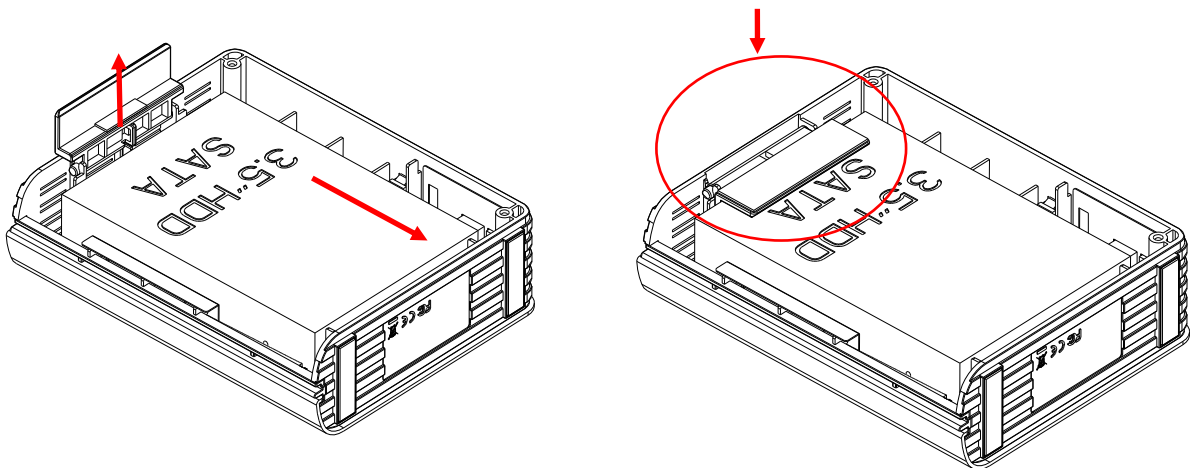
2. Detach the aluminum plate and see internal structure



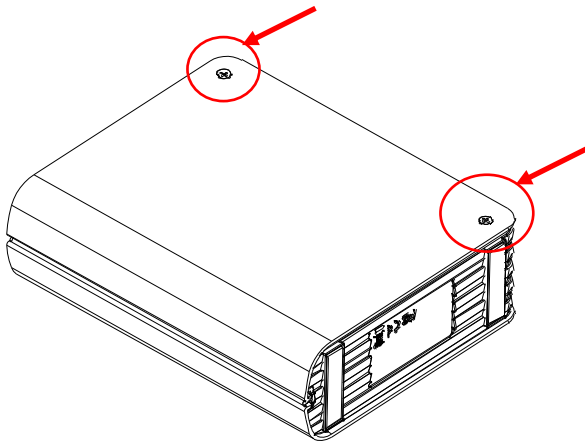
3. Open the HDD flip locker



4. Slide the HDD to attached the connector and close the flip to fix the HDD



5. Close the aluminum plate and fix the screws back to the case



## **5. OS Supports**

- 1.** Win-Vista/ 7/ 8/ 8.1/ 10
- 2.** MAC OS 10.7(Lion) or above
- 3.** Linux Ubuntu 10.4(Kernel 2.6.38) or above

## **6. Packaging**

OEM packaging is available upon requests.