

HCT-001E-TX / HCT-001E-RX

HDMI/DVI Extension and Distribution System



Transmitter HCT-001E-TX



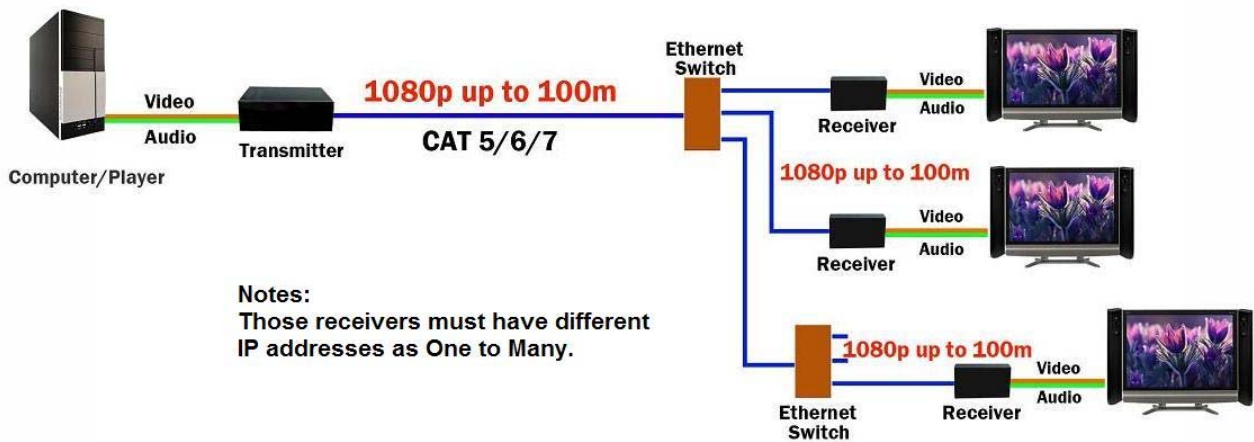
Receiver HCT-001E-RX

Figure:

One to One (HDMI/DVI Extension)



One to Many by Ethernet Switch (HDMI/DVI Distribution up to 8 remote displays)



Notes:
Those receivers must have different IP addresses as One to Many.

HDMI/DVI Extension and Distribution System

Introduction:

The HDMI/DVI extends the digital 1080p video+audio contents up to 100m from one source to one distant display over the existing Ethernet or an independent CAT5/6/7 cable as well as up to 8 remote displays readily through Ethernet switch(s).

The system consists of transmitter and receiver both built with HDMI connectors, and is capable of supporting DVI with the HDMI-to-DVI adapter.

Nowadays, the digital HD video and audio are becoming more and more popular in the AV fields like digital signature, home theatre, education facilities and so on. With the versatility, you always can make it cost-effective wherever you need to extend and/or distribute the HDMI/DVI signals at full HD for a long range.

Features:

- Plug-and-play installation.
- *Extend full HD 1080p up to 100m over a single CAT5/6/7 cable.*
- *Distribute HD digital contents up to 8 remote displays readily by cascading Ethernet switches up to 3 levels the way it can be located up to 300m away from the source device while remaining the excellent picture and sound quality.*
- AV signals are transmitted digitally over the CAT5/6/7 cable without any signal loss.
- Scalar allows different input and output resolution.
- Auto adjustment of video compression rate ensures smooth video streaming under different network conditions.
- HDMI interfaces support DVI with HDMI-to-DVI adapter.
- HDMI 1.3 compliant.
- HDCP compliant.

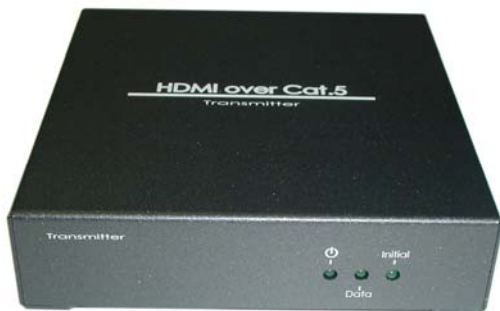
Specifications:

Model No.	<ul style="list-style-type: none"> • Transmitter: HCT-001E-TX • Receiver: HCT-001E-RX
Distance/Resolution	100m at 1080p
Video Bandwidth	2.25 Gbps (HDMI 1.3)
Input TMDS Signal	1.2 volts (peak-to-peak)
Input DDC Signal	5 volts (peak-to-peak)
Signal Input & Connectors	<ul style="list-style-type: none"> • Transmitter: <ul style="list-style-type: none"> ○ HDMI In - 19 pin type A female • Receiver: <ul style="list-style-type: none"> ○ RJ45 - CAT5/6/7 cable in ○ 3.5mm Phone Jack - Extend IR, plug IR receiver
Signal Output & Connectors	<ul style="list-style-type: none"> • Transmitter: <ul style="list-style-type: none"> ○ RJ45 - CAT5/6/7 cable in ○ 3.5mm Phone Jack - Extend IR, plug IR emitter • Receiver: <ul style="list-style-type: none"> ○ HDMI Out - 19 pin type A female
Power	DC5V/1A
Operating Temperature	0~70°C
Operating Humidity	10~85% RH (no condensation)
Storage Temperature	-10~80°C
Storage Humidity	5~95% RH (no condensation)
Dimensions	<ul style="list-style-type: none"> • Transmitter: 12 x 12.5 x 3 (H) cm • Receiver: 12 x 12.5 x 3 (H) cm
Weight	<ul style="list-style-type: none"> • Transmitter: 500g • Receiver: 500g

Ordering Information:

Model No.	Description
HCT-001E-TX	Transmitter
HDMI to DVI optional for transmitter: 19M-181MC	HDMI 19P/Male to DVI18+1P/M Cable
HCT-001E-RX	Receiver
HDMI to DVI optional for receiver: 19M-241FA	HDMI 19P/Male to DVI24+1P/F Adapter

More Photos:



**HCT-001E-TX
Transmitter (Front)**



**HCT-001E-RX
Receiver (Front)**



**HCT-001E-TX
Transmitter (Rear)**



**HCT-001E-RX
Receiver (Rear)**



19M-181MC
HDMI to DVI optional for transmitter



19M-241FA
HDMI to DVI optional for receiver



HCT-001E-TX + 19M-181MC



HCT-001E-RX + 19M-241FA