

PCE-5125

Intel Core i7/i5/i3/Xeon SHB with DDR3/
Dual GbEs/SATA RAID/Dual Display

Preliminary



CE FCC

Features

- LGA 1156 Intel® Core™ i7/i5/i3/Pentium/Xeon CPUs.
- Dual Channel (ECC) DDR3 1333 MHz up to 8 GB
- Support PCE-7000 and 5000 series backplanes
- VGA and DVI dual display
- Supports embedded software APIs and Utilities

Software APIs:



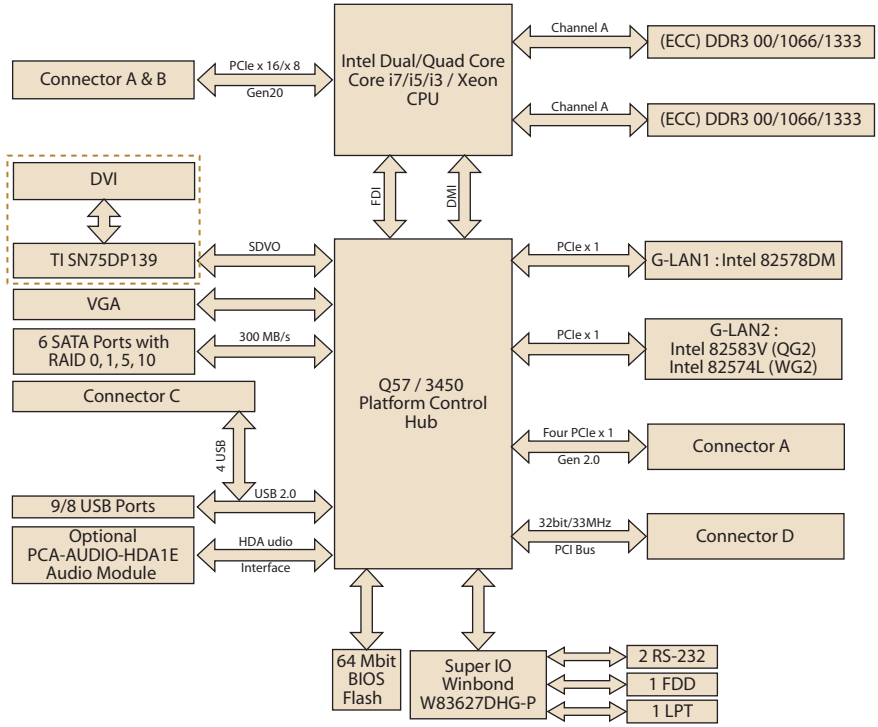
Utilities:



Specifications

Processor System	CPU	Xeon	Core i7	Core i5 700	Core i5 600	Core i3	Pentium
	Core Number	4	4	4	2	2	2
	Speed	2.93 GHz	2.93 GHz	2.66 GHz	3.33 GHz	3.06 GHz	2.8 GHz
	L2 Cache	8 MB	8 MB	8 MB	4 MB	4 MB	3 MB
	Integrated Graphic	Only those Core i5 600, Core i3 and Pentium CPUs with core are embedded with integrated graphics					
	Socket	LGA1156					
	Chipset	Q57 for QG2, QVG SKUs; 3450 for WG2 SKU					
	BIOS	AMI 64Mb SPI Flash					
Note: Xeon 3400 series are only supported by WG2 SKU.							
Bus	PCI-Express	One PCIe x16 or two x8, plus four x1 to backplane (Gen 2.0) (Only WG2 SKU supports two PCIe x8)					
	PCI	Four 32bit/33MHz PCI Masters to Backplane					
Memory	Technology	Dual channel DDR3 800/1066/1333 MHz					
	Max. Cap.	4 GB per DIMM, total 8 GB, non-ECC for QG2, QVG SKUs; ECC for WG2 SKU					
	Socket	Two 240-pin DDR3 memory socket					
Graphic	On board	?? MHz ?? graphics engine, Direct X ??/Pixel Shader ?? compliant					
	VRAM	Max. 1 GB shared video memory with system memory ≥ 2 GB.					
	Video Output	15 pin VGA D-sub connector x1/On-board DVI pin header x 1					
Ethernet	Interface	10/100/1000Base-T					
	Controller	LAN1: Intel 82578DM LAN2: Intel 82583V for QG2, QVG SKUs; Intel 82574L for WG2 SKU					
	Connector	RJ45 with LED Connector x 2 for QG2, WG2 SKUs/x 1 for QVG SKU					
SATA 2	Max. transfer rate	300MB/s					
	Channel	6					
	RAID	0, 1, 5, 10					
EIDE	Mode	N/A					
	Channel	N/A					
I/O Interface	USB 2.0	Maximum 9 ports on the SHB, 4 ports to the BP					
	Serial	2 RS-232 with Pin Headers					
	Parallel	1 (EPP/ECP)					
	FDD	1					
	PS/2	1 (for mouse and keyboard, an Y cable is included in the package)					
Watchdog Timer	Output	System reset					
	Interval	Programmable 1, 2, 4, 8, ..., 256 sec					
Miscellaneous	Audio Output	Intel High Definition audio interface (requires an audio extension module, P/N: PCA-AUDIO-HDA1E)					
Power Requirement	Test Equipments	Core i7 ?? CPU ?? GHz, TDP ??W, 2 Piece of 8 GB DDR3 1333 MHz					
	Voltage	+12 V	+5 V	+3.3 V	+5 VSB	-12 V	-5 V
	Current	TBD	TBD	TBD	TBD	N/A	N/A
	Test Equipments	Xeon ?? CPU ?? GHz, TDP ??W, 2 Piece of 8GB ECC DDR3 1333 MHz					
	Voltage	+12 V	+5 V	+3.3 V	+5 VSB	-12 V	-5 V
	Current	TBD	TBD	TBD	TBD	N/A	N/A
Environment	Status	Operating			Non-Operating		
	Temperature	0 ~ 60° C (32 ~ 140° F) (operation humidity: 40° C @ 85% RH Non-Condensing)			-40 ~ 85° C and 60° C @ 95% RH Non-Condensing		
Physical	Dimensions	185 mm (L) x 122 mm (W) (7.3" x 4.8")					

Board Diagram



Ordering Information

Model Name	Memory	BP Support	LAN	VGA	DVI	USB	COM	IPMI/SNMP
PCE-5125QG2-00A1E	Non-ECC	PCE-5000	2 GbE	Yes	Yes	13	2	Yes
PCE-5125QVG-00A1E	Non-ECC	PCE-5000	1 GbE	Yes	-	13	2	Yes
PCE-5125WG2-00A1E	ECC/Non-ECC	PCE-5000/7000	2 GbE	Yes	-	13	2	Yes

Packing List

Part Number	Description	Quantity
1700340640	FDD cable	x 1
1700003194	Serial ATA HDD data cable	x 2
1703150102	Serial ATA HDD power cable	x 2
1701260305	COM + printer ports cable kit	x 1
1700060202	Keyboard and mouse Y-cable	x 1
1700008461	4-port USB cable kit	x 1
9689000068	Jumper package	x 1
2002721020	User Note for Full-Sized CPU Card	x 1
-	Warranty Card	x 1
-	Startup manual	x 1
-	Utility CD	x 1

Bracket View



Accessories

Part Number	Description
PCA-AUDIO-HDA1E	Audio extension module